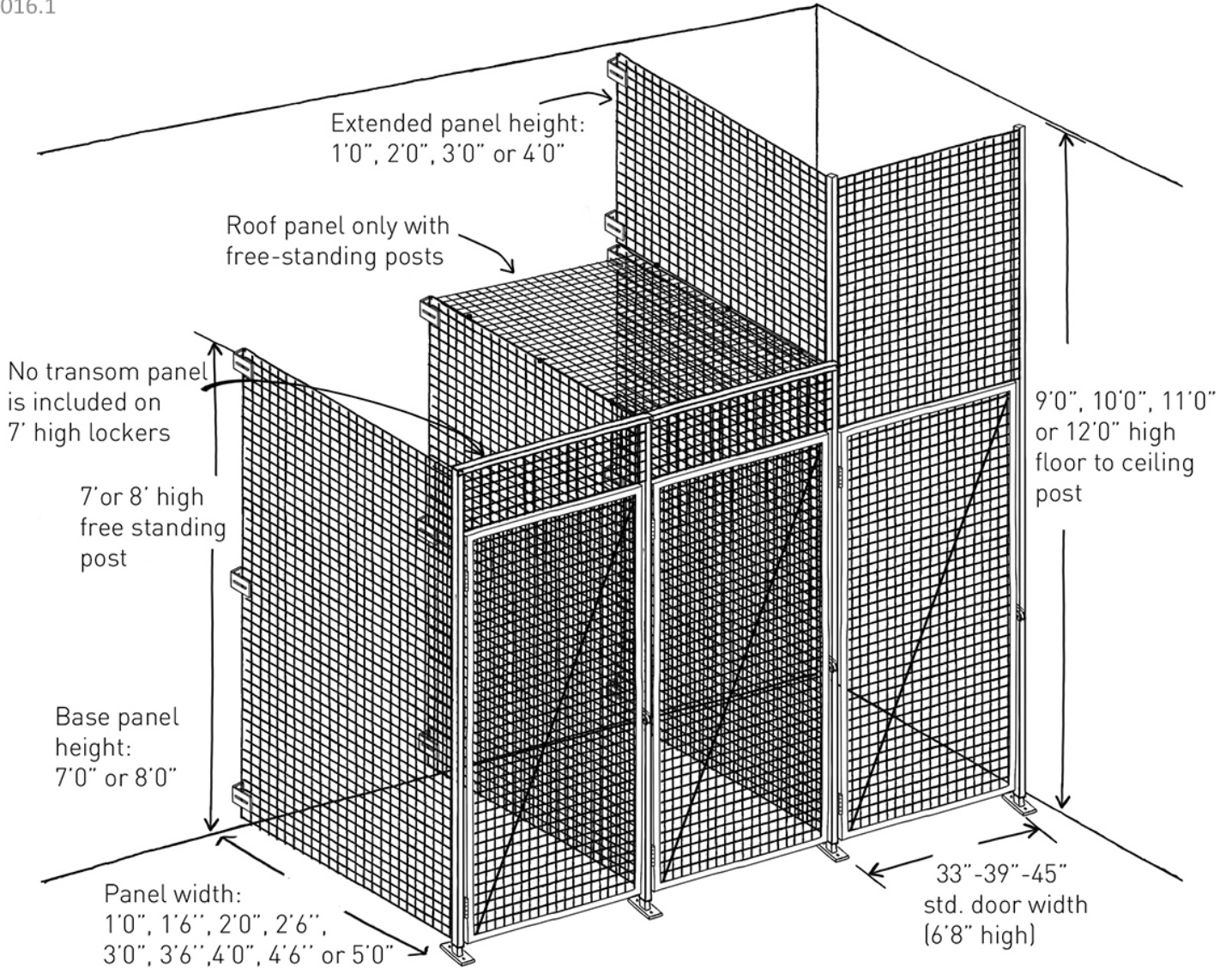


INSTALLATION MANUAL

For the most current release of this manual,
please visit our website at cogan.com

V.2016.1



Product	Lockers
Sub-product	Single Tier Tenant Storage Locker

- Freestanding or floor to ceiling post with adjustable foot and ceiling plates
- Single tier swing door equipped with padlock hasp.
- On-site easy trimming around water pipes, wall irregularities and obstruction.



A Tradition of Quality Since 1901

cogan.com

BEFORE STARTING INSTALLMENT OF THE SINGLE TIER LOCKERS.

You MUST validate all measurements of the existing room VS. the project plans.



IMPORTANT:

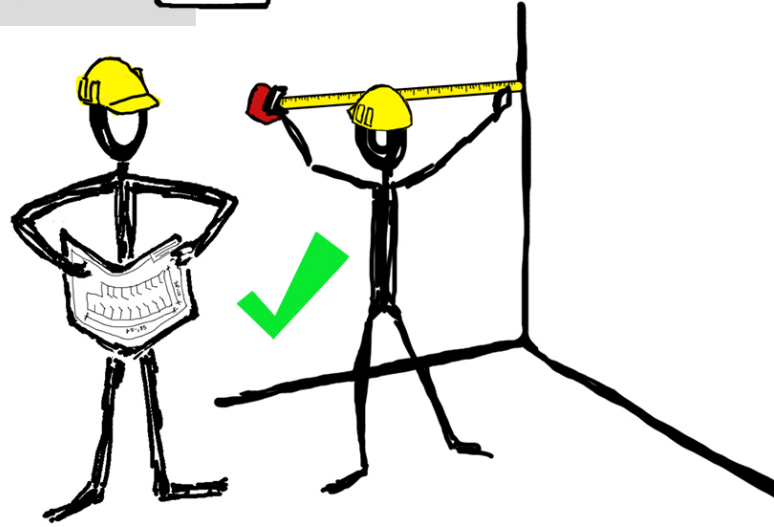
EVERYTHING MUST BE MEASURED EXACTLY THE SAME AS THE PLANS.



IF NOT EXACT MEASUREMENTS, PLEASE CONSULT THE SITE SUPERVISER OR ARCHITECT FOR FURTHER INSTALLATION PROCEDURES.

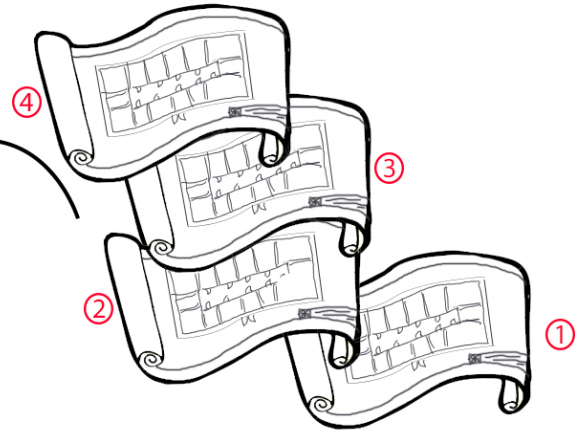
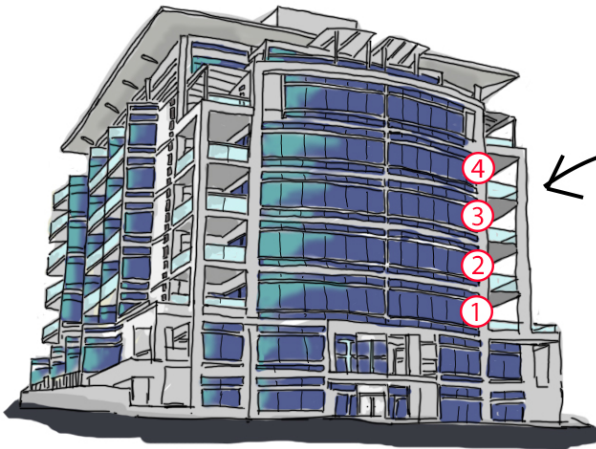
SITE SUPERVISER MUST SIGN PLANS IF ANY CHANGES WAS MADE**

THE INSTALLER MUST NOT MODIFY ANY OF THE PLANS.



NOTES:

IN RARE CASES, THE PLANS DOES NOT CORRESPOND TO THE FLOORS. INSTALLER MUST VERIFY BEFORE YOU BEGIN THE PROJECT.



AFTER THE VALIDATION OF ALL MEASUREMENTS AND PLANS

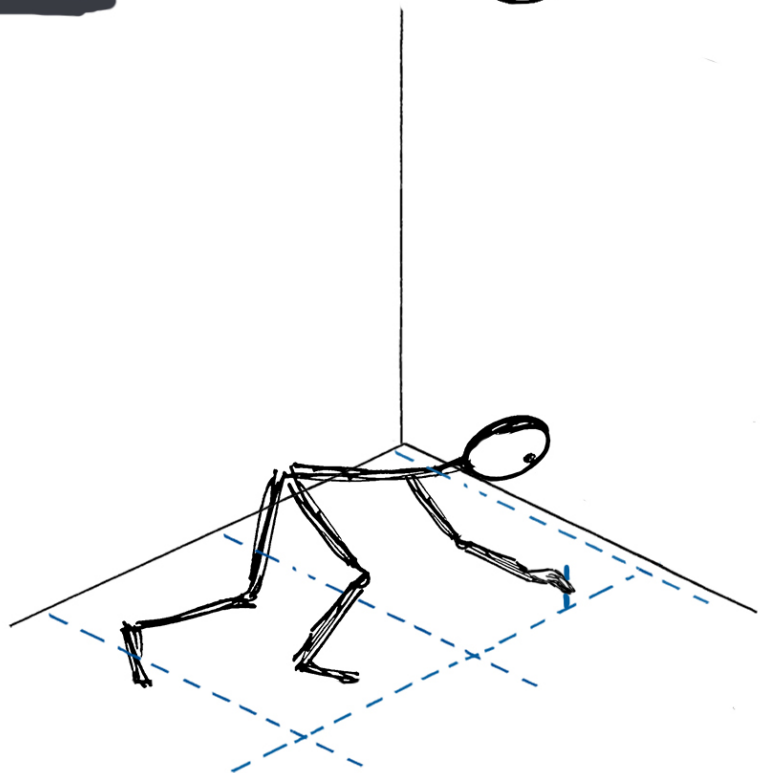



DRAW CHALK LINES TO SEE IF THERE ARE ANY **OBSTRUCTIONS.**

MARK OUT THE CENTERLINES OF EACH POST.

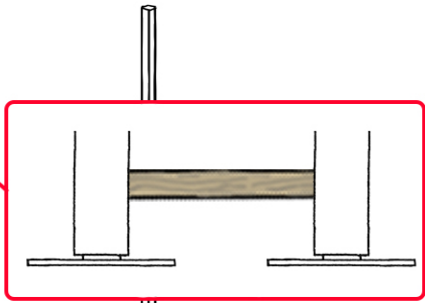
FOR EXAMPLE: IF THE CORRIDOR HAS ANY LIGHTS OR MECHANICAL SYSTEMS IN THE WAY.

ONCE AGAIN SEE **SITE SUPERVISER** IF ANY MODICATION IS NEEDED.





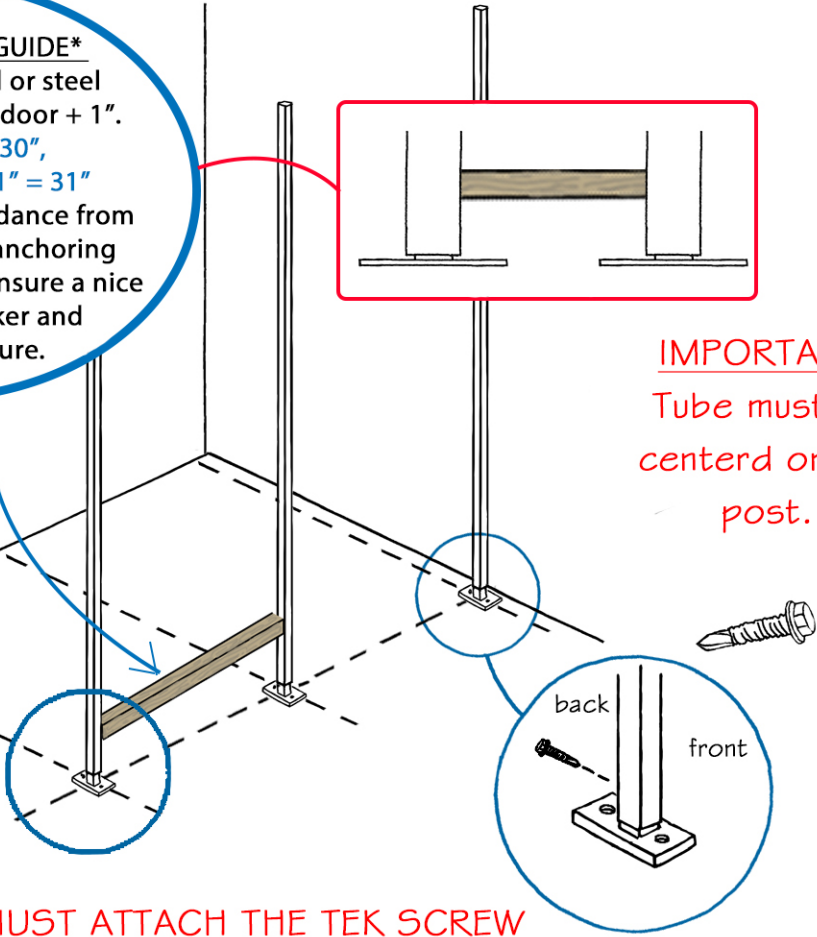
TIPS ON USING A GUIDE*
 Cut a piece of wood or steel that is the size of the door + 1".
 Ex. Door size = 30", then guide is 30"+1" = 31"
 Use the guide as a guidance from **tube to tube** before anchoring to the floor. This is to ensure a nice perpendicular locker and good door closure.



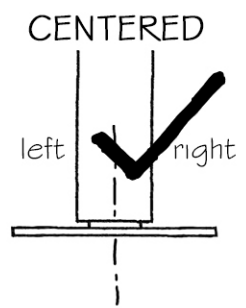
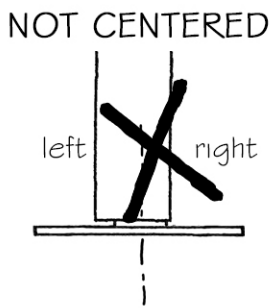
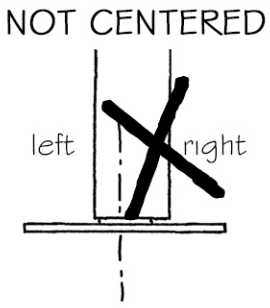
IMPORTANT:
 Tube must be centered on the post.

STEP 1
ASSEMBLE/SECURE POSTS

Assemble posts using footplates inserted in post tube. Fasten one $\varnothing 1/4$ " hex head tek screw from back side of each tube to lock the measured height



IMPORTANT: YOU MUST ATTACH THE TEK SCREW BEFORE MOVING ON TO THE NEXT POST.

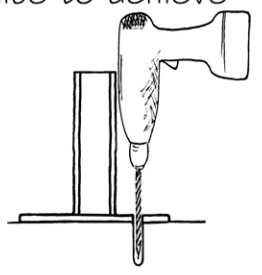


STEP 2
ANCHORS

Once posts are assembled, anchor the foot plates to the floor.

Free standing post: 
 Use 1/4"x2 1/4" wedge bolt anchor.

Hammer drill a hole with the same nominal diameter and at least as deep as the length of the anchor. Drive the hilti bolt in the hole so that at least **6 threads** are below the top surface of fixture. Then tighten to the recommended torque value to achieve proper anchor setting.



DETAIL

Using the distances given on the installation drawings, wall brackets can be anchored to the wall using anchors (not provided).

These wall brackets will hold each last mesh panel to the wall using clips (provided).



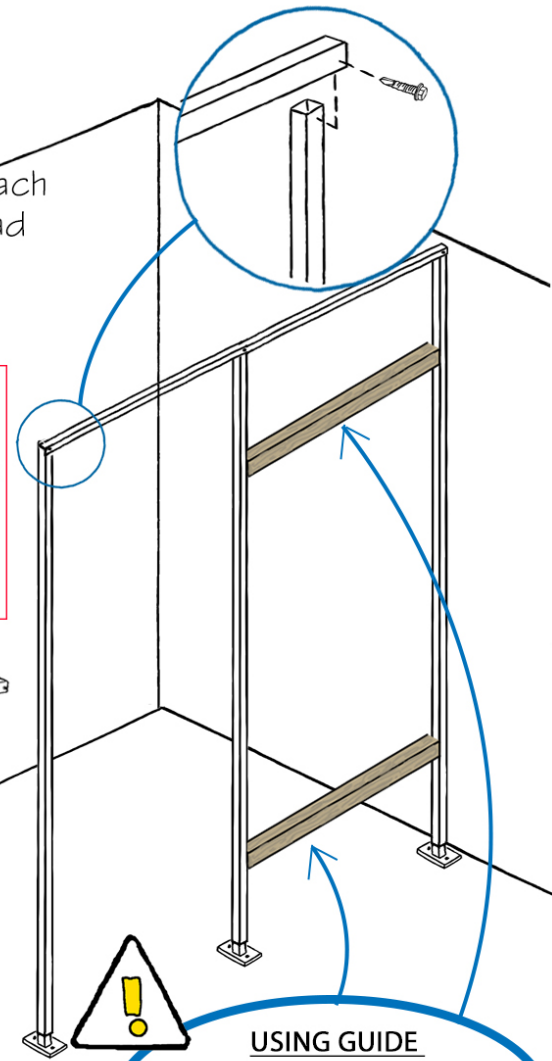
STEP 3

TRANSOM ANGLE

(free standing post only)

Attach transom angle to each post using $\varnothing 1/14$ " hex head tek screw

Tips: When installing the transom angle, attach them on the ground then install it onto the locker. **DO NOT TRIM** the transom angle, overlap them if to long.



USING GUIDE
Use the same guide to level and to make the posts parallel before installing wall brackets.

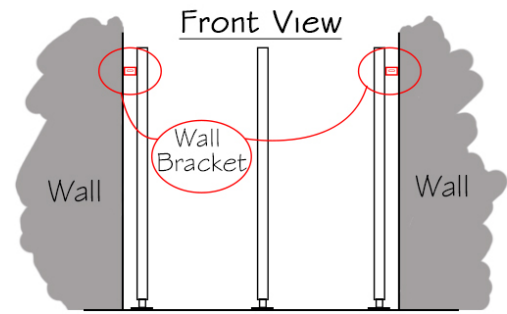
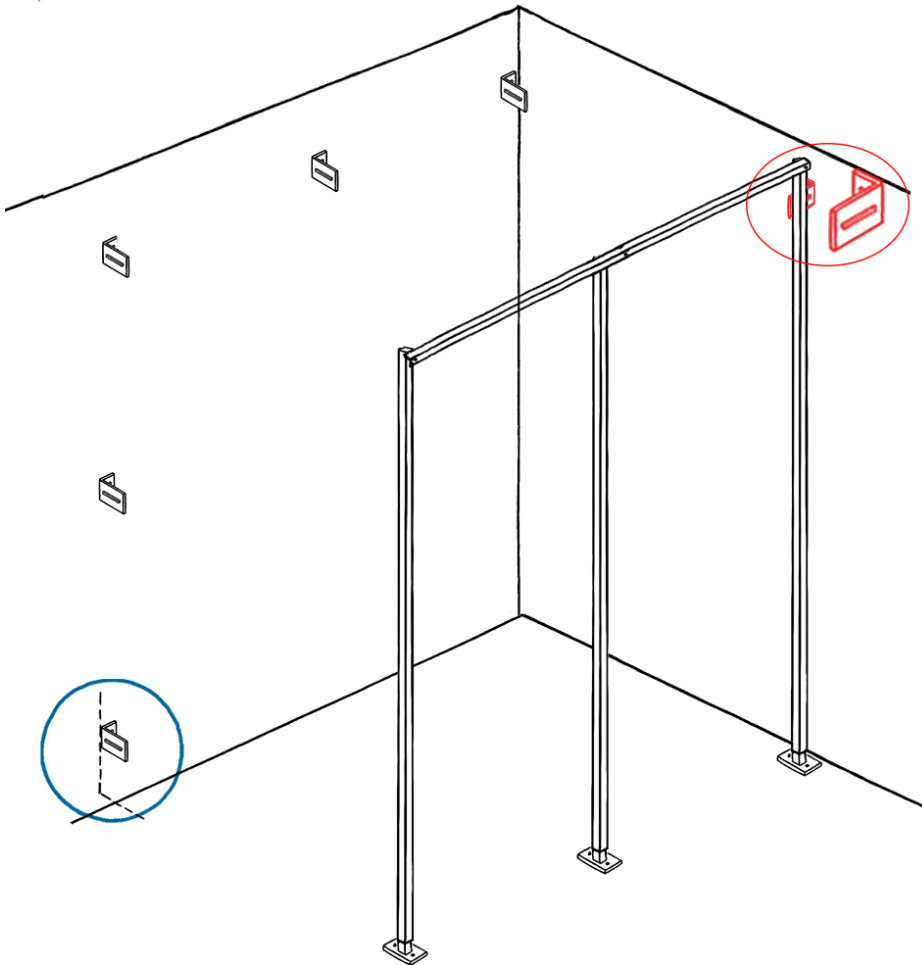
Overlapping



STEP 4

WALL BRACKETS

Attach the wall brackets from the post to the wall first.



TIPS: INSTALL WALL BRACKET FIRST TO THE WALL BEFORE PLACING THE SIDE MESH. (TO MAKE THE SIDE MESH STRAIGHT)

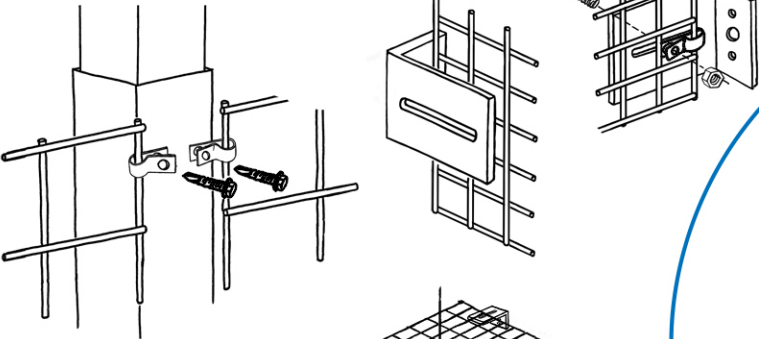
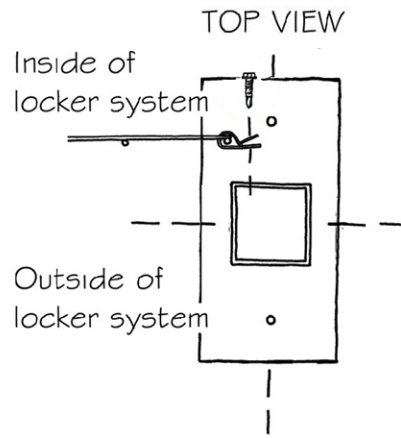
Then attach wall brackets 8" from the top and 8" from the bottom to the back wall. A centered wall bracket is used if necessarily (minimum of 2 per panel).

SIDE PANELS

Attach side panel using mesh clips on both post and wall brackets. Always install the mesh panel on the **inside** of the bracket to ensure the hardware is located on the inside of the locker for security purposes. Install your transom panel if required at this stage (Refer to next page of this manual).

Ø1/4"x1" hex head tek screw
1 clip at every 36"

Always clip around last vertical bar



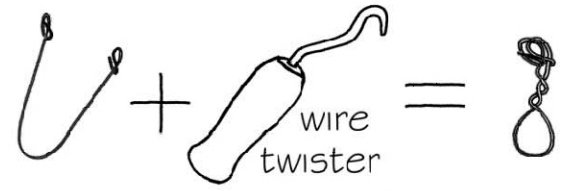
STEP 5

ROOF PANELS

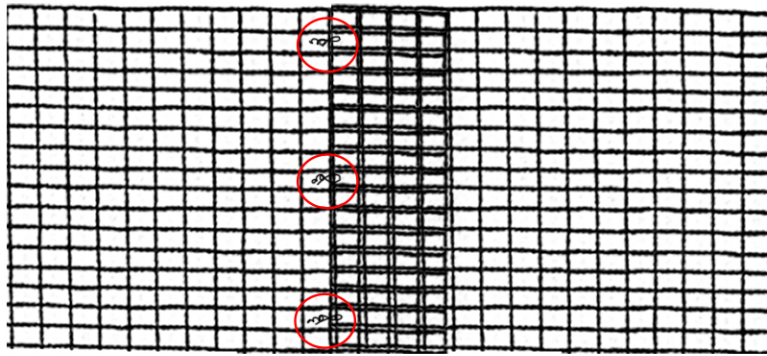
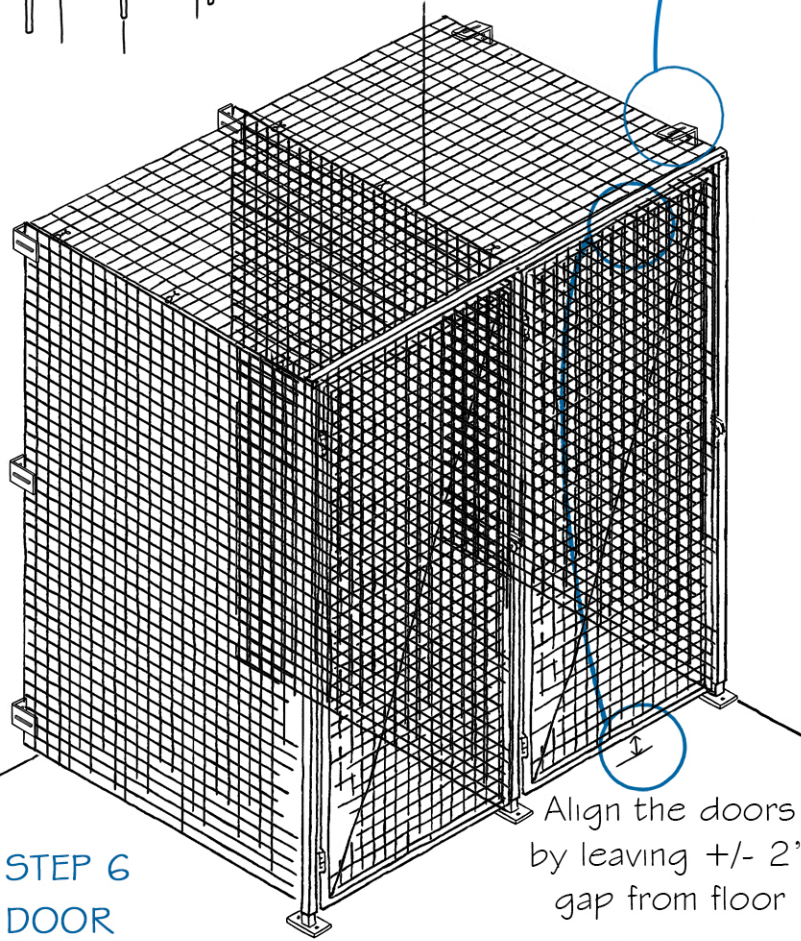
The roof mesh shall be attached to each side panel (and transom, if applicable) using wire wrap. **Make sure the roof panels are aligned properly, to insure a perfect door opening fit.**

TIPS: INSTALL WALL BRACKET FIRST TO THE WALL BEFORE PLACING THE ROOF MESH (TO MAKE THE ROOF MESH STRAIGHT)

When roof mesh ends up to a wall, use wall brackets and wire wrap (anchor the smaller side of the wall bracket using nail anchors.)

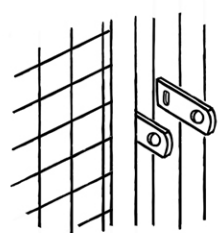


IMPORTANT: IF MESH IS LONGER THEN LOCKER DO NOT TRIM, OVERLAP THEM AND PUT WIRE WRAP AT EVERY 1'.



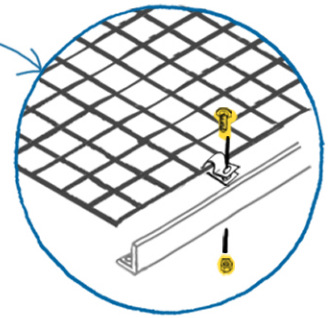
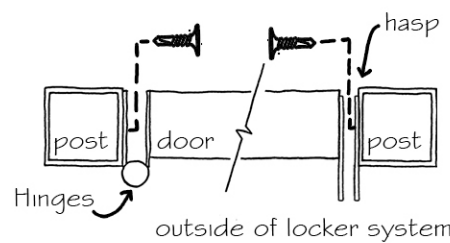
STEP 6 DOOR

The hinges and hasp have been attached to the door at the factory using Ø1/4"x3/4" carriage bolts. Use Ø1/4"x1" flat head tek screw to attach on posts.



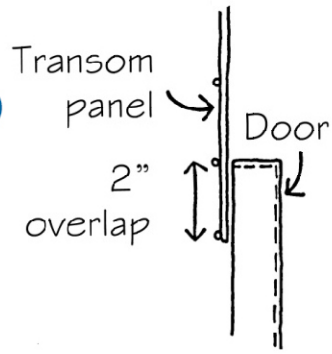
Align the doors by leaving +/- 2" gap from floor

Mesh clips are used for the transom angle



**TRANSOM PANELS
(IF YOUR LOCKER HAS)**

Attach transom panels on the inside of door openings using mesh clips.

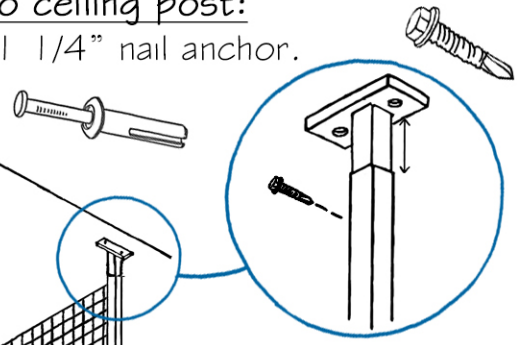


CEILING ATTACHMENT (IF YOUR LOCKER HAS)

Adjust the ceiling brace to the roof and use anchors if the roof is concrete.

Floor to ceiling post:

Use 1/4"x1 1/4" nail anchor.

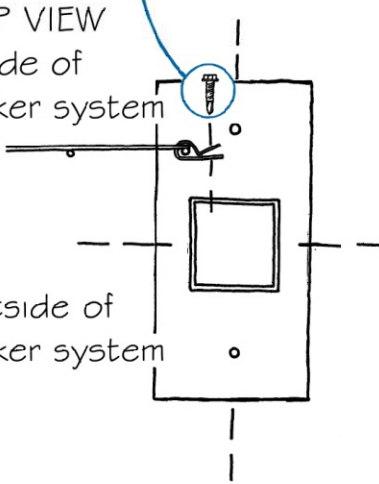


Ø 1/4"x1" hex head tek screw
4 clips per transom panel

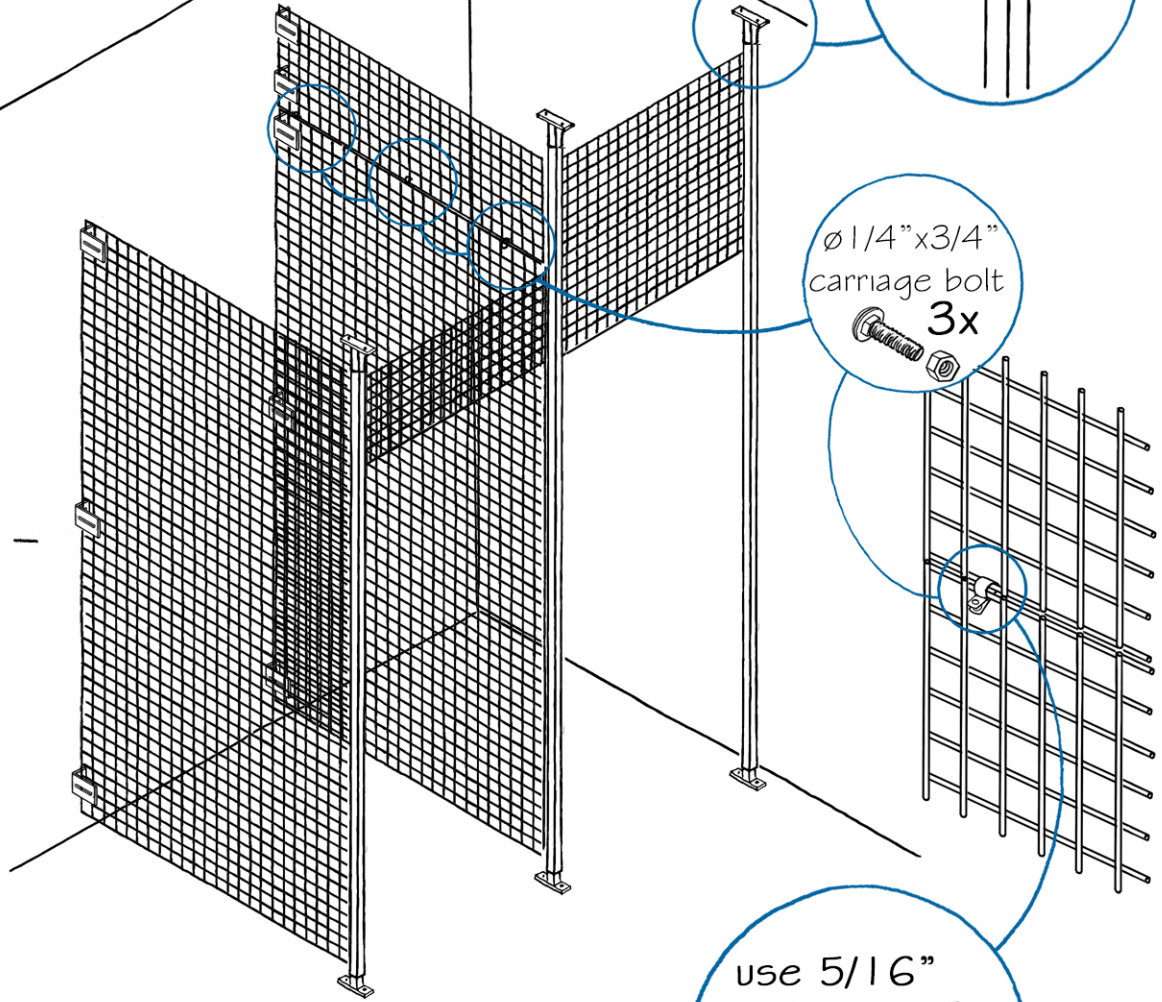
TOP VIEW

Inside of locker system

Outside of locker system

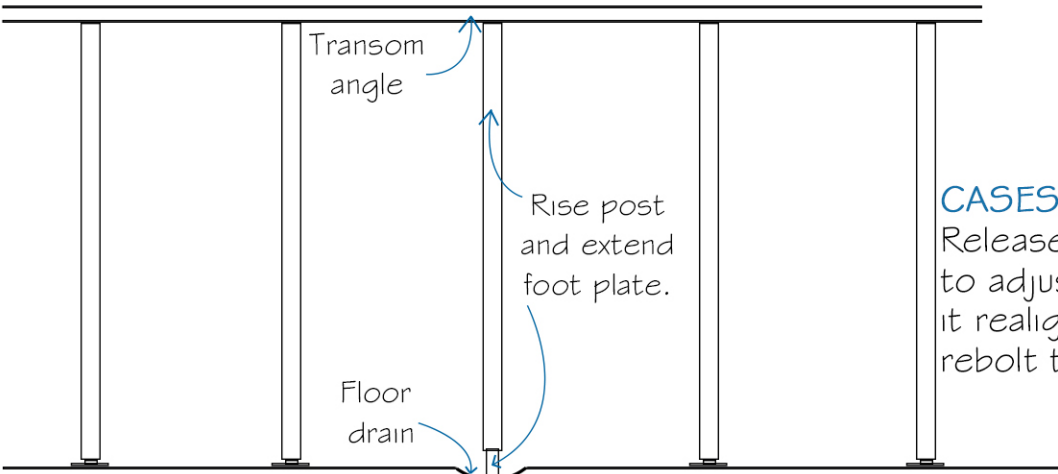


Ø 1/4"x3/4" carriage bolt
3x



use 5/16" mesh clips for these connections 

Front View



CASES WITH FLOOR DRAIN

Release tek screw from previous intall to adjust the height of the post making it realign with the transom angle. Then rebolt the post with the tek screw.

MATERIAL

- **MESH PANELS ARE MADE OF UN-FRAMED ELECTRO-GALVANIZED WELDED WIRE MESH 6GA & 8GA WITH OPENING OF 2"X 2". TRANSOM ANGLES ARE MADE OF 1 1/4" X 1 1/4" X 12GA HEAVY DUTY STRUCTURAL STEEL. ROOF MESH IS MADE OF 2"X4"X10GA WELDED WIRE MESH.**
- **DOOR FRAMES ARE MADE OF ANGLE 1 1/4"X 1 1/4" X 12GA HEAVY DUTY STRUCTURAL STEEL, SHAPED FOR EXTRA STRENGTH. CORNERS ARE NOTCHED AND SEAM-WELDED. WELDED WIRE MESH IS 2"X2"X10GA (0.134), RESISTANCE WELDED TO THE FRAME AT EVERY 6". DOORS ARE REINFORCED WITH ONE 1/2" DIAMETER ROD. DOORS SHALL BE EQUIPED WITH A SET OF PADLOCK HASPS, TWO DOOR STOPPERS AND TWO PAIR OF STEEL PIN HINGES.**
- **POSTS ARE MADE OF ELECTRO-GALVANIZED 1 1/2" X 1 1/2" X 17 GA SQUARE SEAM WELDED, ENGINEERED FOR PERFECT SUPPORT AND RIGIDITY. FREE STANDING POST INCLUDE A 3" X 5" X 1/4" ZINC PLATED ADJUSTABLE FOOT PLATE. FLOOR TO CEILING INCLUDE TWO 3" X 5" X 1/4" ZINC PLATED ADJUSTABLE FLOOR AND CEILING PLATE.**
- **ALL NECESSARY ASSEMBLY FASTNERS SHALL BE PROVIDED. ANCHORS ARE NOT PROVIDED BY COGAN**
- **ALL SIDE, ROOF AND TRANSOM PANELS, AS WELL AS POSTS ARE FINISH ELECTRO-GALVANIZED.**
- **DOORS ARE SEALED WITH A COGAN GREY POWDER-COATED PAINT FINISH.**